



ANGEL

ACCESSIBILITY SOLUTIONS

WE LIFT PEOPLE UP



F550 FLOOR LIFTS

Flexible lifting. Mobility and durability.

This total lift spreads the entire length of the legs in a conventional V shape formation, making for a very stable lift. The F-550 is equipped with maneuverable, high quality castors. The lift base allows for 59" (147.5 cm) of clearance to accommodate even the largest of chairs. The lift comes standard with a unique four point carry bar which provides additional head room clearance, enhancing patient/resident comfort.

From the bottom up, the F-550 is designed to make patient transfers easier and safer. It's made with aluminum so that it's lighter and easier to move. The castors are dual-wheeled, allowing it to roll smoothly

on any type of flooring (including carpet). Handles are ergonomically designed to be comfortable for any height caregiver, and the legs spread wider to provide greater stability. All of that, plus incredible lifting range and 550 lbs (250 kgs) weight capacity.

FEATURES

- Unique 4-point carry bar enhances comfort.
- 60 degree leg spread improves stability.
- 550 lbs. (250 kg) capacity.
- Hand controller for easy use.
- Integrated charger.



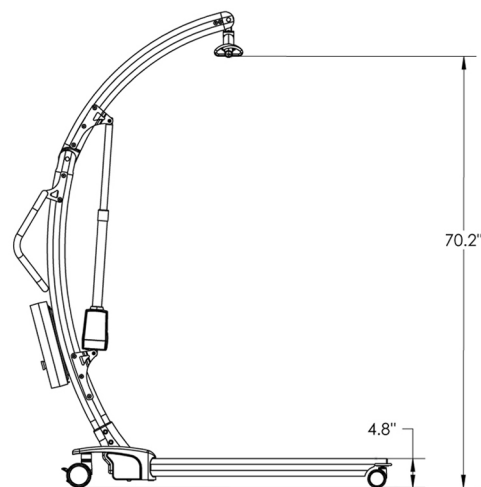
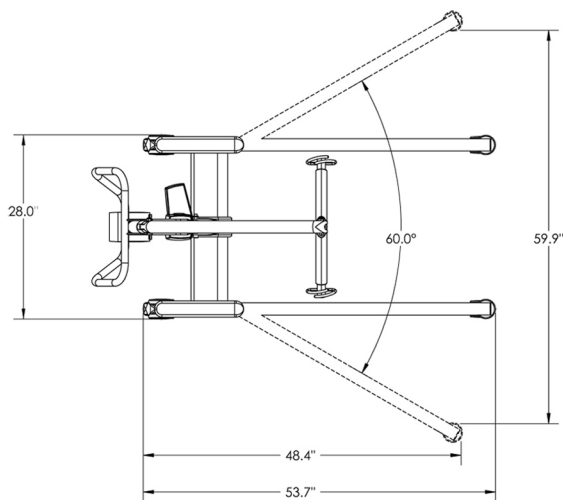
ANGEL

ACCESSIBILITY SOLUTIONS

WE LIFT PEOPLE UP

F550 FLOOR LIFTS

*Flexible lifting.
Mobility and durability.*



Product Highlights

- Lightweight, aluminum construction
- Leg opening allows for 59" (147.5 cm) of clearance
- Unique four point carry bar which provides additional lifting height and enhanced patient comfort
- Integrated charger or optional wall mounted charger
- Ergonomically designed handles
- Allows for easy positioning of patient with no mast interference
- Available in an additional low profile design to accommodate low height beds

For Dealer Opportunities

Head Office
851 Viewfield Road
Victoria, BC V9A 4V2 Canada

USA Office(s)
Portland, OR
1.800.977.0721

To learn more call Angel Accessibility Solutions at:

Toll-Free: 1.800.977.0721
Tel: 250.383.0405
Fax: 250.383.7099
www.angelsolutions.com